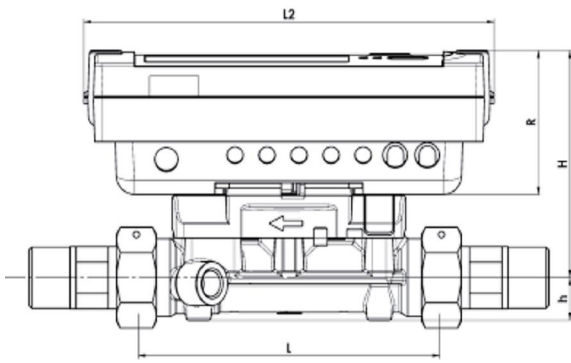


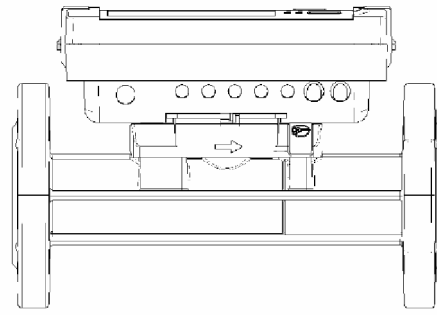
| EN 1434 / | | | | | | | | | | | |
|-----------|----------------|-------------|-----|-----|----------|--------|----------------------|----------------------|-----------------------|-----|-----------------------|
| IP 54 | | | | | | | | | | | |
| , 8- | | | | | | | | | | | |
| / | | | | | | | | | | | |
| qp | ³ / | 0,6 | 1,5 | 2,5 | 3,5 | 6 | 10 | 15 | 25 | 40 | 60 |
| qs | ³ / | 1,2 | 3 | 5 | 7 | 12 | 20 | 30 | 50 | 80 | 120 |
| qi | / | 6 | 6 | 10 | 35 | 24 | 40 ¹ /100 | 60 ¹ /150 | 100 ¹ /250 | 160 | 240 ¹ /600 |
| | / | 1 | 2,5 | 4 | 7 | 7 | 20 | 40 | 50 | 80 | 120 |
| | ° | 5 130 | | | 5 150 | | | | | | |
| Qp | | 85 | 75 | 100 | 44 | 128 | 95 | 80 | 75 | 80 | 80 |
| : Pn | | 16 | 16 | 16 | 16 25 | 16 25 | 25 | 25 | 25 | 25 | 25 |
| DN | | 15 | 15 | 20 | 25 | 25, 32 | 40 | 50 | 65 | 80 | 100 |
| Pt500 | | | | | | | | | | | |
| | T () | : 16 : 1 | | | | | | | | | |
| | a | 177 | | | | | | | | | |
| | a | 3 | | | | | | | | | |
| | a | 0,125 | | | | | | | | | |
| | | (10+) | | | | | | | | | |
| | | 230 () | | | | | | | | | |

1-

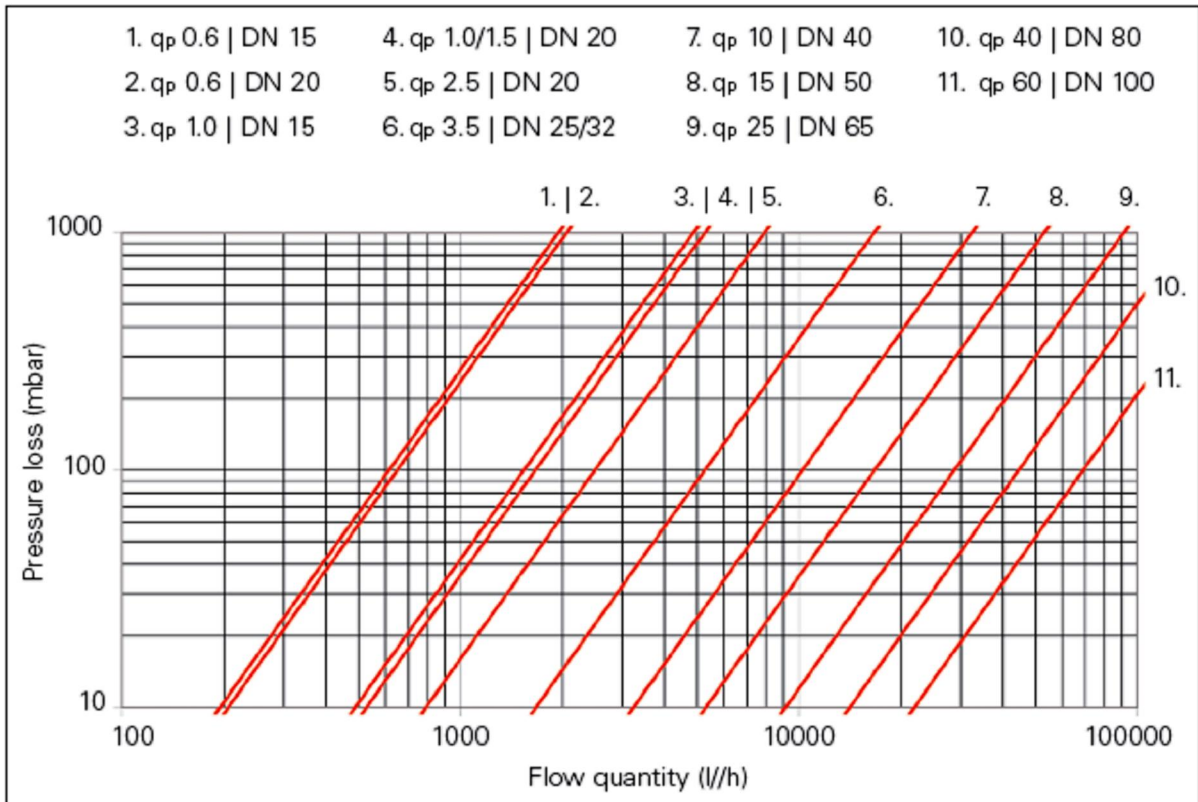
| | | | | | | | | | | |
|------|----------------|---------|-----|-------------------|-------------------|----------------|---------|-------------|-------------|--------------|
| Qp | ³ / | 0,6/1,5 | 2,5 | 3,5 | 6 | 10 | 15 | 25 | 40 | 60 |
| L | | 110 | 130 | 260 | 260 | 300 | 270 | 300 | 300 | 360 |
| | | 82 | 84 | 89 | 89 | 94 | 95 | 107 | 114 | 119 |
| h | | 15 | 18 | 23 | 23 | 33 | 74 | 85 | 93 | 108 |
| AGZ/ | | G3/4B | G1B | G5/4B FL. DN25 | G5/4B FL. DN32 | G2B FL.DN40 | FL.DN50 | FL. DN65 | FL. DN80 | FL. DN100 |
| L2: | | 150 | | | | | | | | |
| : | | 100 | | | | | | | | |
| R: | | 54 | | | | | | | | |
| : | | 2 | | | | | | | | |



ultra S3

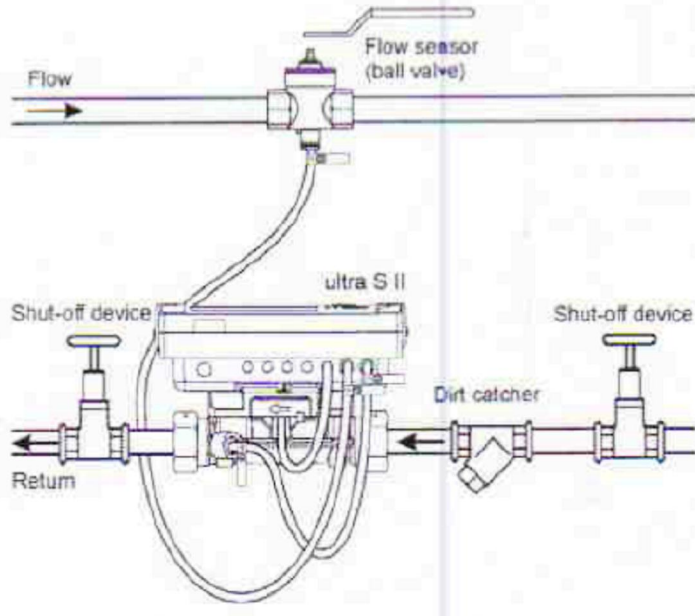


ultra S3



ultra S3

ultra S3



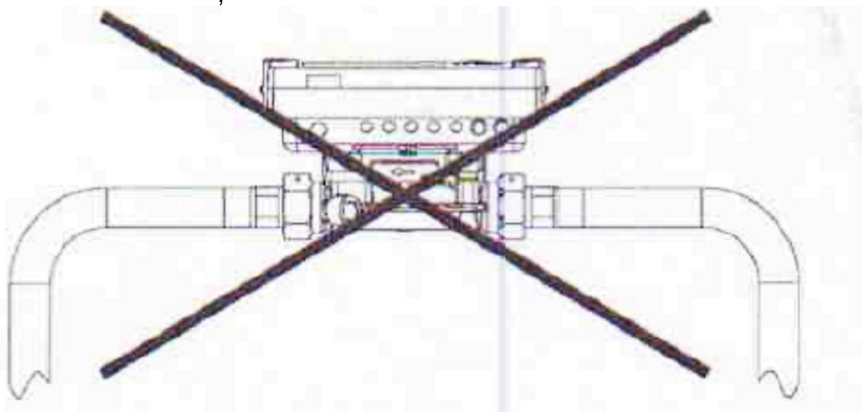
!)

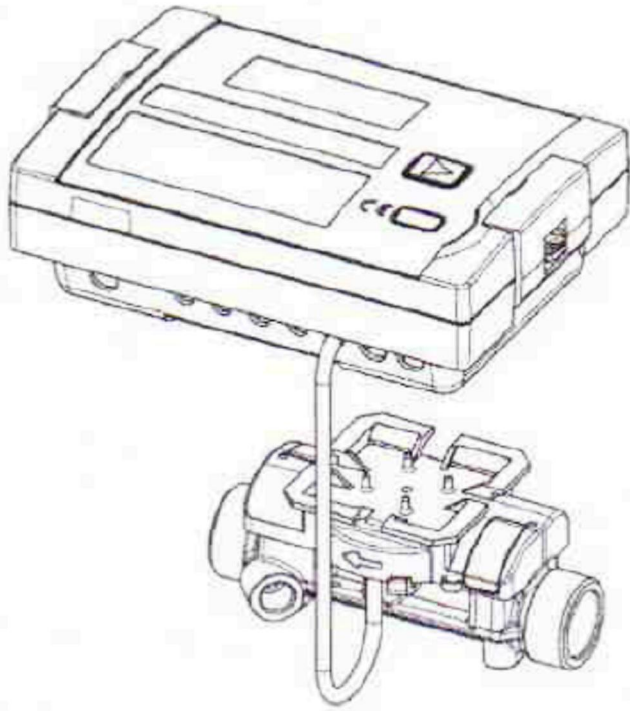
55

(2).

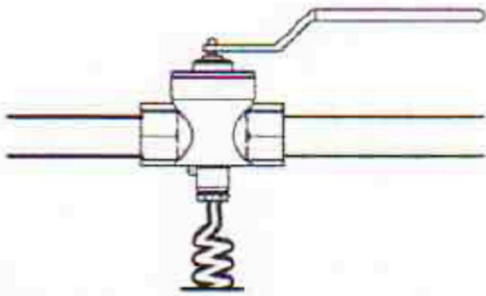
(hohe Temp.)

(Einbauort: tiefe Temp.)

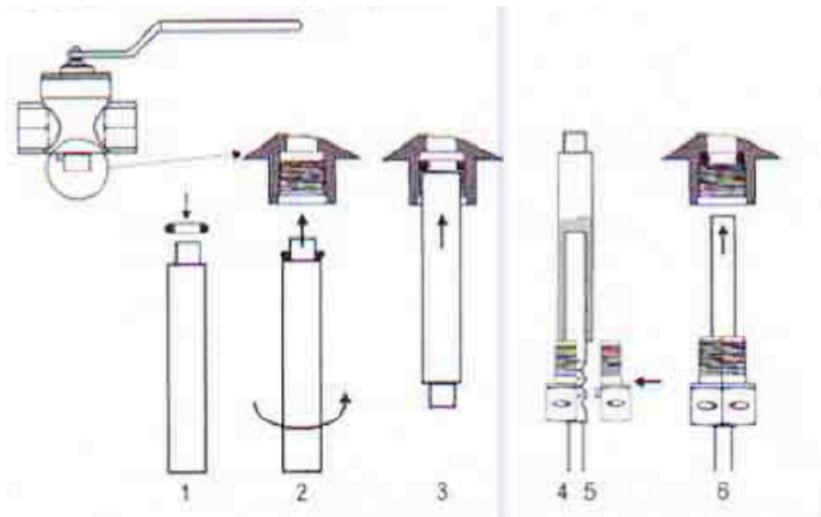




:3,0 DC (12)
: 24 230 ,



<=25



(2)

(3)

(4)

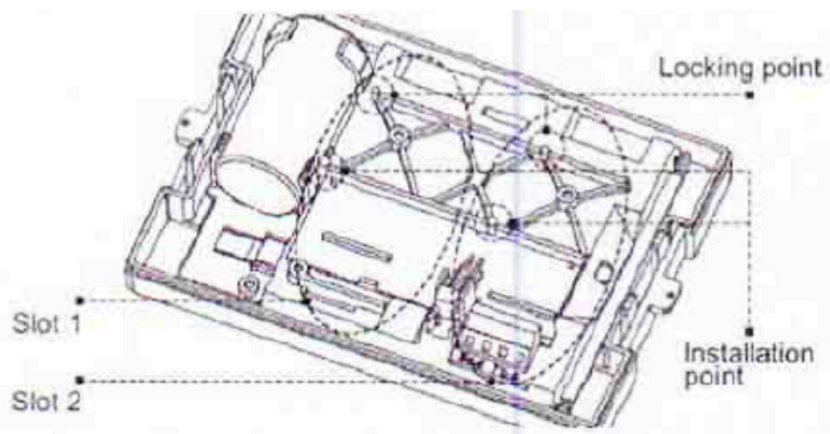
(5)

(6)

m-bus

m-bus

1:



M-bus
M-bus

EN 1434-3
2 x 2.5 mm²

: 50 DC,
M-bus

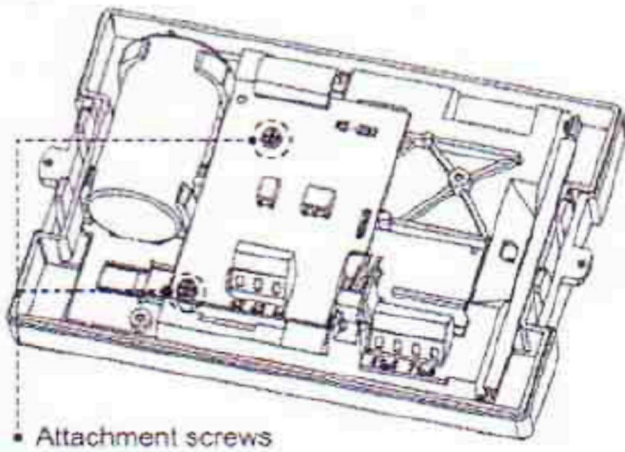
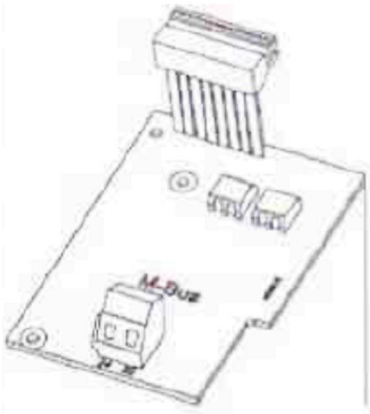
300 2400

2-

24,25.

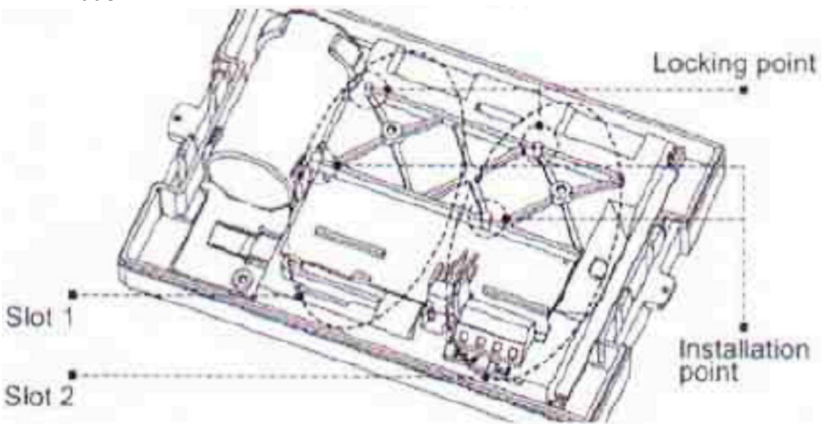
m-bus

(.):



m-bus

2:



Vex= 3-30 DC

<= 20

<=0,5

()
100-150

() =

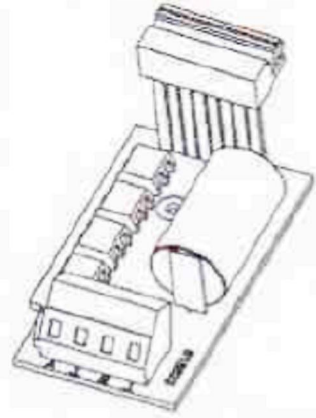
(

()

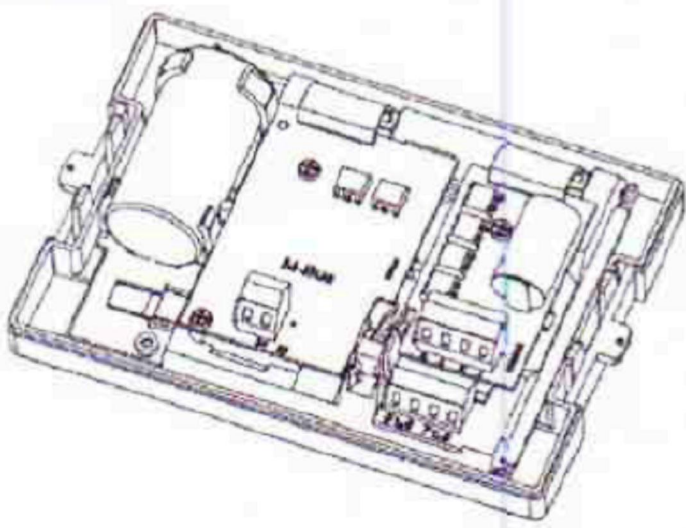
: 1 / ()

" " 4-)

(" "



(.):



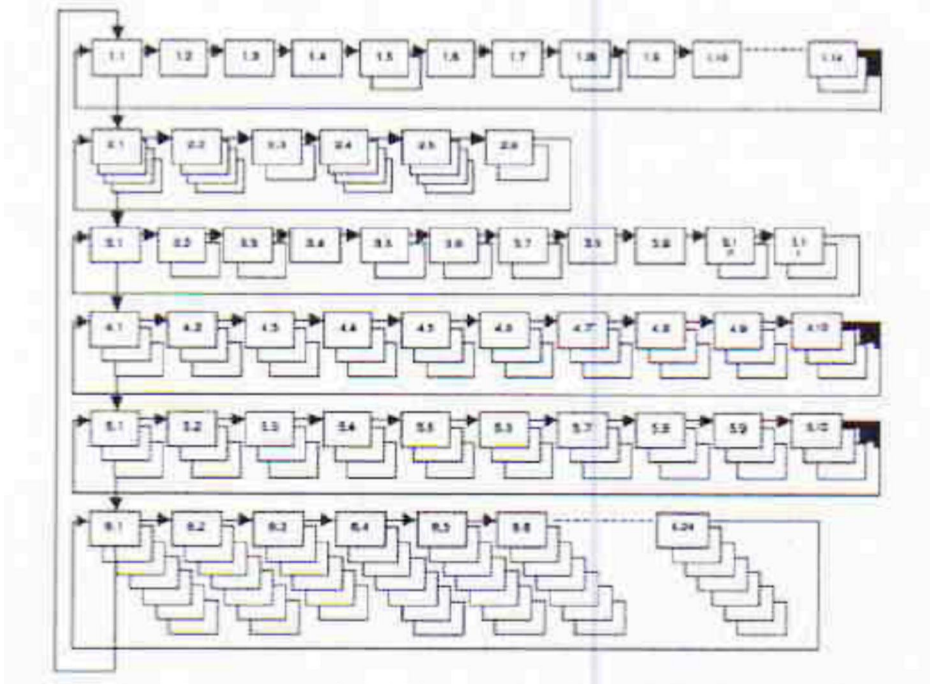
“
”
“

(3 (3))

4 « » (1.1)

HYDRO-SET
6

- 1.
- 2.
- 3.
- 4.
- 5.
- 6.



1-6.

(4) 1-3 6 (5) :

| | 1 | 2 | 3 |
|------|-----------|----------|---|
| 1.1 | | | |
| 1.2 | | | |
| 1.3 | | | |
| 1.4 | | | |
| 1.5 | | | |
| 1.6 | | | |
| 1.7 | | | |
| 1.8 | | | |
| 1.9 | | | |
| | í | î | |
| 2.1 | 1 | | 1 |
| 2.2 | | .1 | |
| 2.3 | °Accd 1q | | 1 |
| 2.4 | 2 | | 1 |
| 2.5 | | .2 | |
| 2.6 | °Accd 2q | | 2 |
| | í | î | |
| 3.1 | | | |
| 3.2 | °SEC_Adrq | | |
| 3.3 | °Pri_Adrq | | |
| 3.4 | °Pt 100q | °Pt 500q | |
| 3.5 | | | |
| 3.6 | | | |
| 3.7 | | | |
| 3.8 | | | |
| 3.9 | °Out1q | | 1 |
| 3.10 | °Out2q | | 2 |

